

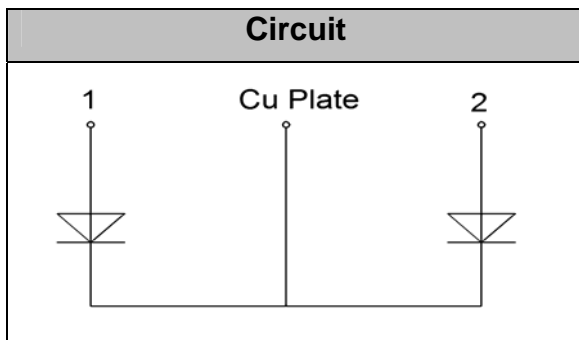
## Schottky Rectifier Modules



**V<sub>RRM</sub>** 200V  
**I<sub>FAV</sub>** 800 A

### Applications

- Plating Power Supply
- High Frequency Power Supply
- High Current Switching Power Supply
- Reverse Battery Protection
- Welding Machine



### Features

- 175°C T<sub>J</sub> Operation
- Center Tap Module
- High Frequency Operation
- Low Forward Voltage
- Dual Diode Construction; May be Paralleled for High Current Output
- Lead (Pb)-free
- Designed and qualified for industrial level

### Maximum Ratings

Symbol	Conditions	Values	Units
V <sub>R</sub>		200	V
I <sub>F(AV)</sub>	T <sub>C</sub> =125°C, Per Diode	400	A
	T <sub>C</sub> =125°C, Per Module	800	A
I <sub>FSM</sub>	1/2 Cycle, 60Hz, Sine	5800	A
I <sup>2</sup> t	T <sub>J</sub> =45°C, t=8.3ms, 60Hz, Sine	168200	A <sup>2</sup> s
T <sub>J</sub>		-40 to +150	°C
T <sub>STG</sub>		-40 to +150	°C
Torque	Recommended (M6)	3~4.7	N·m
Torque	Recommended (M6)	3~4.7	N·m
Weight		92	g

### Thermal Characteristics

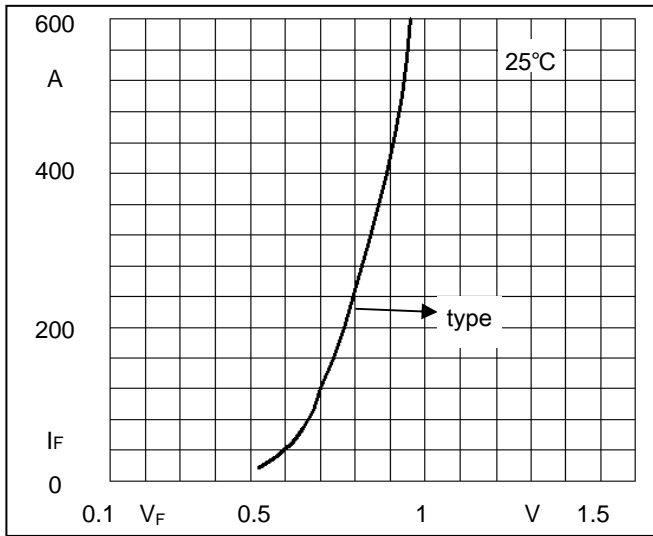
Symbol	Conditions	Values	Units
R <sub>th(j-c)</sub>	Per diode	0.08	°C/W

### Electrical Characteristics

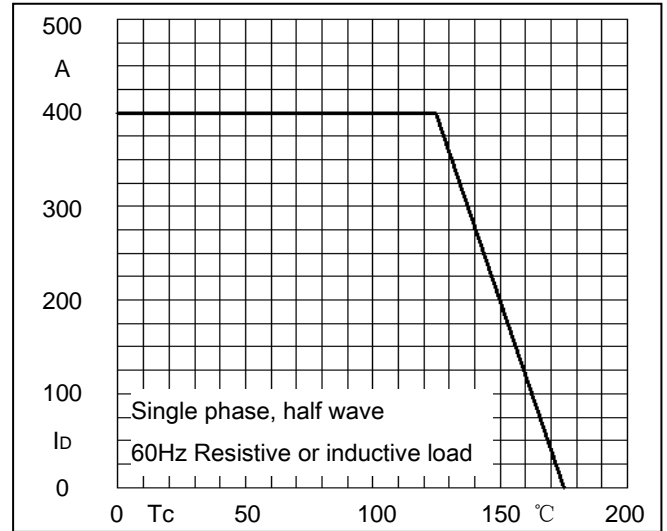
Symbol	Conditions	Values			Units
		Min.	Typ.	Max.	
I <sub>RM</sub>	V <sub>R</sub> =100V	--	--	5	mA
	V <sub>R</sub> =100V, T <sub>J</sub> =125°C	--	--	200	mA
V <sub>F</sub>	I <sub>F</sub> =400A, , T <sub>J</sub> =25°C	--	0.9	0.94	V
	I <sub>F</sub> =400A, , T <sub>J</sub> =125°C	--	0.85	0.89	



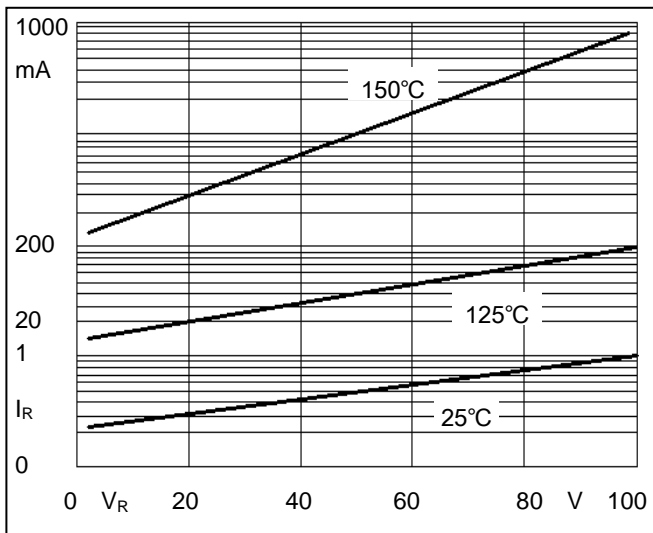
### Performance Curves



**Fig1. Forward Voltage Drop vs Forward Current**



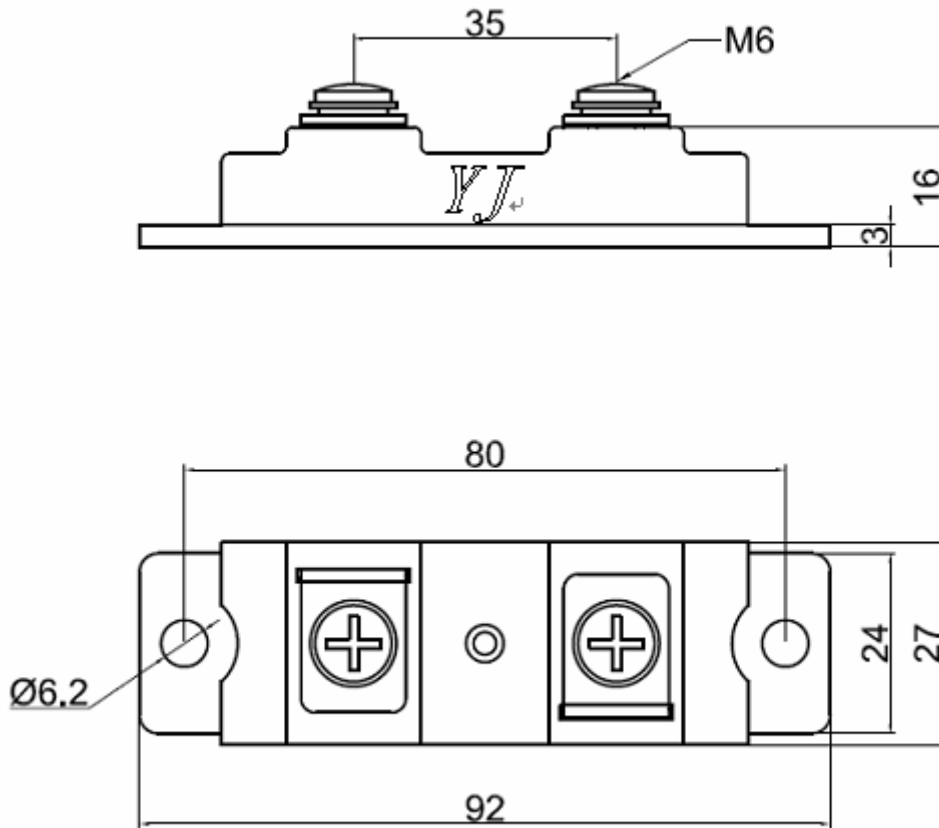
**Fig2. Forward Current Derating Curve**



**Fig3. Typical Reverse Current**

## Package Outline Information

CASE: NF3



Dimensions in mm